

# PCE

connection  
to the future

A composite image featuring a worker in silhouette walking away from the camera down a tunnel. The tunnel walls are made of brick or stone, and there are pipes and cables running along the ceiling. In the foreground, a white and orange PCE motor protection plug is shown in detail, connected to a cable. The overall scene is dimly lit, with a bright light source at the end of the tunnel.

**Motor protection plugs**





## Motor protection plugs

### Results without motor protection plugs:

Do you know the problem of...

- >> ...a destroyed engine?
- >> ...a defective arrangement?
- >> ...a burnt through winding by overloading?
- >> ...mechanical damage on account of wrong rotation direction?
- >> ...secondary damage such as flooding?



## Field of Applications

### >> Pumps

Submerged pumps, mobile pumping plants, pumps for construction sites, water pumps, ...

### >> Agitators

Mobile machines for mixing (building site machines)

### >> Blowers

Ventilators, space ventilation, ...

### >> Compressors

Breathing air compressors, mobile compressors, ...

### >> Conveyors

Rolling and chain conveyors, band-conveyors, ...

### >> Industrial motors

### >> Construction machines

Circular saws, hand tools, ...

### >> Extractions

mobile laboratory ventilation, smoke extraction, ...



# Motorprotection plugs 16A 230V 1,5 - 8,0A

## Motorprotection with schuko plug 16A 230V for all one-phase motors

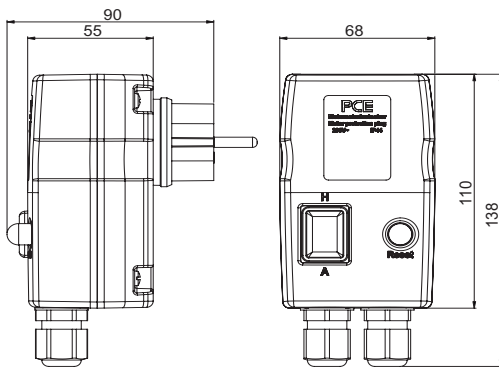


### Technical datas:

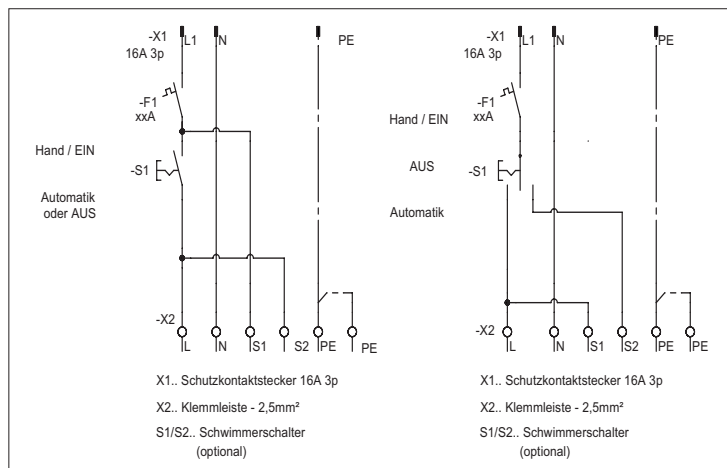
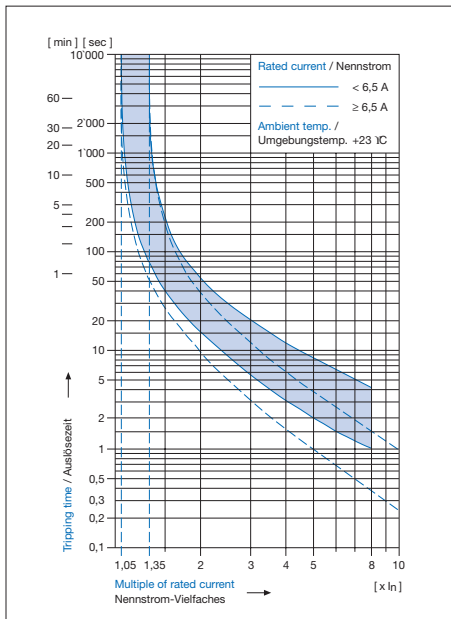
- Enclosure material: PC/ABS
- Protection degree: IP44
- IK standard acc. EN50102: IK09
- Temperature range: -5°C to +40°C
- large connection area

### Designs:

- with rocker switch **ON/OFF (I-0)** or **HAND OPERATION/AUTOMATIC (H-A)** for the use of a float switch\*
- with rocker switch **HAND OPERATION/OFF/AUTOMATIC (I - 0 - II)** change between continuous duty, Off and Automatic for the use of a float switch\*
- circuit breaker with external reset switch  
currents: 1,5A, 3A, 4A, 5A, 6,5A, 8A
- cable entry:  
1,5 - 8,0A: 2xM16 cable glands (ø 5-10mm)  
1x marking for break through enlargement up to ø 20mm



- The motor protection plug 16A 230V provides reliable protection for overload. It is used mainly for switching and the protection of one-phase AC motors on pumps, circular saws and industrial motors.



### Motor protection plug 16A 230V

- Hand operation - Automatic or On - Off

IP44 splashproof

### setting range

- 1,5A
- 3,0A
- 4,0A
- 5,0A
- 6,5A
- 8,0A

### cable gland

- 2xM16 5-10mm **56101500**
- 2xM16 5-10mm **56103000**
- 2xM16 5-10mm **56104000**
- 2xM16 5-10mm **56105000**
- 2xM16 5-10mm **56106000**
- 2xM16 5-10mm **56108000**

### Motor protection plug 16A 230V

- Hand operation - Off - Automatic

IP44 splashproof

### setting range

- 3,0A
- 4,0A

### cable gland

- 2xM16 5-10mm **56103001**
- 2xM16 5-10mm **56104001**

\* Float switch see page 167

## Motorprotection plugs 16A 230V 10 - 16A

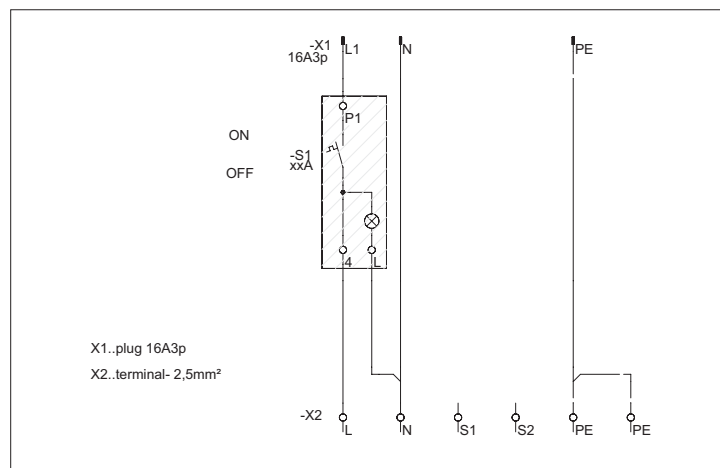
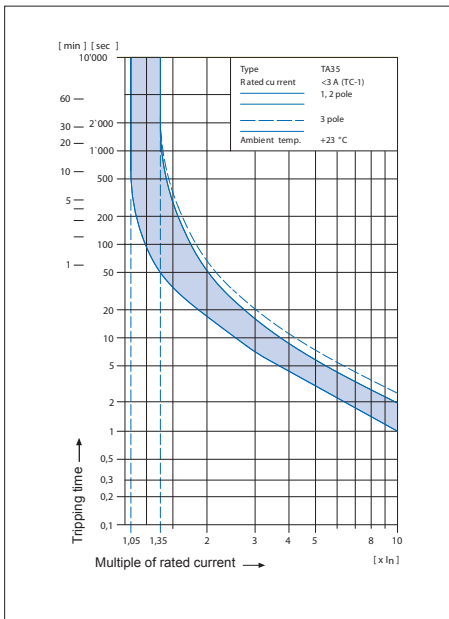
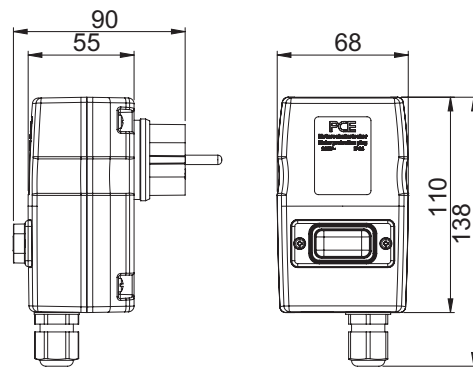
Motorprotection with schuko plug 16A 230V for all one-phase motors

### Technical datas:

- Enclosure material: PC/ABS
- Protection degree: IP44
- IK standard acc. EN50102: IK09
- Temperature range: -5°C to +40°C
- large connection area

### Designs:

- with rocker switch ON/OFF which lights green when switched on
- change between continuous duty, Off and Automatic for the use of a float switch\*
- currents: 10A, 12A, 14A, 15A, 16A
- cable entry:  
10 - 16A: 1xM16 cable glands (ø 5-10mm)  
1x marking for break through enlargement up to ø 16mm



### Motor protection plug 16A 230V

- Hand operation - Automatic or On - Off

IP44 splashproof

### setting range

10A  
12A  
14A  
15A  
16A

### cable gland

1xM16 5-10mm **56110004**  
1xM16 5-10mm **56112004**  
1xM16 5-10mm **56114004**  
1xM16 5-10mm **56115004**  
1xM16 5-10mm **56116004**



# CEE-plugs with switch



## CEE-ON/OFF-Switch ML0-Plug

- ON/OFF switch: AC22A, 10kA
- cable gland: 4p M25, 5p M25

IP44 splashproof

	16A 4p	16A 5p
without operating display	54014530	54015530
with operating display	540145301	540155301
with holder	53xxxxxx	53xxxxxx



## CEE-ON/OFF-Switch ML0-Plug

- ON/OFF switch: AC22A, 10kA
- cable gland: 4p M25, 5p M32

IP44 splashproof

	32A 4p	32A 5p
without operating display	54024530	54025530
with operating display	540245301	540255301
with holder	53xxxxxx	53xxxxxx



## CEE-ON/OFF-Switch ML0-Plug with phase inverter

- ON/OFF switch: AC22A, 10kA
- cable gland: 4p M25, 5p M32

IP44 splashproof

	16A 4p	16A 5p
without display	54714530	54715530
with operating display	547145301	547155301
with rotating field check	547145303	547155303
with holder	53xxxxxx	53xxxxxx



## CEE-ON/OFF-Switch ML0-Plug with phase inverter

- ON/OFF switch: AC22A, 10kA
- cable gland: 4p M25, 5p M32

IP44 splashproof

	32A 4p	32A 5p
without display	54724530	54725530
with operating display	547245301	547255301
with rotating field check	547245303	547255303
with holder	53xxxxxx	53xxxxxx



## CEE-plug with reversing switch CA10

- AC22A
- cable gland: 4p M25, 5p M25

IP44 splashproof

	16A 4p	16A 5p
without operating display	54014610	54015610
with operating display	540146101	540156101
with holder	53xxxxxx	53xxxxxx



## CEE-plug with reversing switch CA25

- AC22A
- cable gland: 4p M25, 5p M32

IP44 splashproof

	32A 4p	32A 5p
without operating display	54024625	54025625
with operating display	540246251	540256251
with holder	53xxxxxx	53xxxxxx

Cat.No.



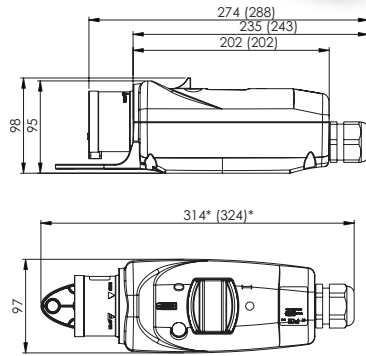
## CEE-Motor protection plugs



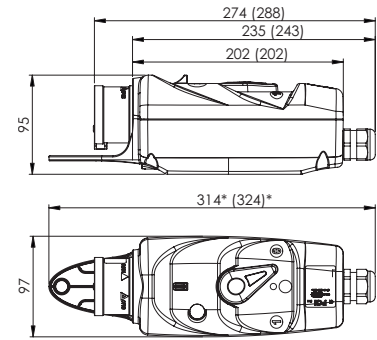
### CEE plug with motor protection switch Z-MS and PKZM0:

#### Technical data:

- housing material: PC/ABS
- protection degree IP44
- IK standard acc. EN50102: IK09
- all designs available with or without holder
- large connection area



- dimensions: 16A (32A)
- \* dimensions only valid for design with holder



#### Details of Z-MS and PKZM0:

- reliable means of protection against thermal overloading and short circuiting
- all protection switches feature thermal overload and magnetic short circuit triggering
- short circuit capacity of Z-MS 10kA and PKZM0: 50kA respectively

#### Rotating field check:

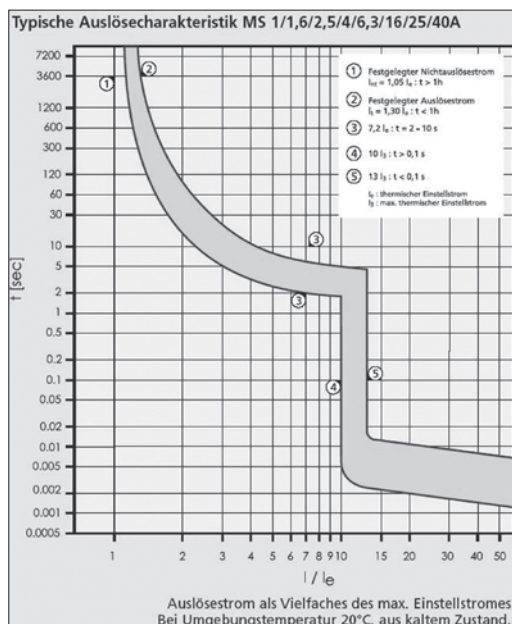
Displays a field rotating in anti-clockwise direction.

#### Operating display:

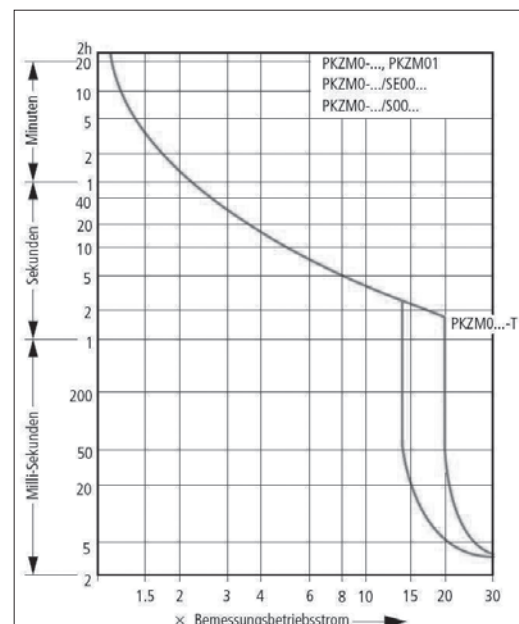
Indicates the voltage supply of two phases of the connector.

- **Main field of application: Switching and protection of AC 3-phase motors with outputs of up to 15kW such as industrial motors and those fitted to pumps and circular cold saws etc.**

#### Z-MS Characteristic:



#### PKZM0 Characteristic:



# CEE-Motor protection plugs PKZM0 with rotary lever



## CEE-Motor protection plug PKZM0

- 500V version on request

IP44 splashproof

### Setting range

1,0 - 1,6A  
1,6 - 2,5A  
2,5 - 4,0A  
4,0 - 6,3A  
6,3 - 10A  
10 - 16A  
with holder

### cable gland

4p and 5p M25  
4p and 5p M25  
4p and 5p M25  
4p and 5p M25  
4p and 5p M25  
4p and 5p M25  
4p and 5p M25

### 16A 4p

54014016  
54014025  
54014040  
54014063  
54014100  
54014160  
53xxxxxx

### 16A 5p

54015016  
54015025  
54015040  
54015063  
54015100  
54015160  
53xxxxxx



## CEE-Motor protection plug PKZM0

- 500V version on request

IP44 splashproof

1,0 - 1,6A  
1,6 - 2,5A  
2,5 - 4,0A  
4,0 - 6,3A  
6,3 - 10A  
10 - 16A  
16 - 20A  
20 - 25A  
25 - 32A  
with holder

4p M25; 5p M32  
4p M25; 5p M32  
4p M25; 5p M32  
4p M25; 5p M32  
4p M25; 5p M32  
4p M25; 5p M32  
4p M25; 5p M32  
4p M25; 5p M32  
4p M25; 5p M32  
4p M25; 5p M32

### 32A 4p

54024016  
54024025  
54024040  
54024063  
54024100  
54024160  
54024200  
54024250  
54024320  
53xxxxxx

### 32A 5p

54025016  
54025025  
54025040  
54025063  
54025100  
54025160  
54025200  
54025250  
54025320  
53xxxxxx



## CEE-Motor protection plug PKZM0

- with operating display
- 500V version on request

IP44 splashproof

1,0 - 1,6A  
1,6 - 2,5A  
2,5 - 4,0A  
4,0 - 6,3A  
6,3 - 10A  
10 - 16A  
with holder

4p and 5p M25  
4p and 5p M25  
4p and 5p M25  
4p and 5p M25  
4p and 5p M25  
4p and 5p M25  
4p and 5p M25

### 16A 4p

540140161  
540140251  
540140401  
540140631  
540141001  
540141601  
53xxxxxx

### 16A 5p

540150161  
540150251  
540150401  
540150631  
540151001  
540151601  
53xxxxxx



## CEE-Motor protection plug PKZM0

- with operating display
- 500V version on request

IP44 splashproof

1,0 - 1,6A  
1,6 - 2,5A  
2,5 - 4,0A  
4,0 - 6,3A  
6,3 - 10A  
10 - 16A  
16 - 20A  
20 - 25A  
25 - 32A  
with holder

4p M25; 5p M32  
4p M25; 5p M32  
4p M25; 5p M32  
4p M25; 5p M32  
4p M25; 5p M32  
4p M25; 5p M32  
4p M25; 5p M32  
4p M25; 5p M32  
4p M25; 5p M32  
4p M25; 5p M32

### 32A 4p

540240161  
540240251  
540240401  
540240631  
540241001  
540241601  
540242001  
540242501  
540243201  
53xxxxxx

### 32A 5p

540250161  
540250251  
540250401  
540250631  
540251001  
540251601  
540252001  
540252501  
540253201  
53xxxxxx



## CEE-Motor protection plug PKZM0

- with phase inverter
- with rotation field check
- 500V version on request

IP44 splashproof

1,0 - 1,6A  
1,6 - 2,5A  
2,5 - 4,0A  
4,0 - 6,3A  
6,3 - 10A  
10 - 16A  
with holder

4p and 5p M25  
4p and 5p M25  
4p and 5p M25  
4p and 5p M25  
4p and 5p M25  
4p and 5p M25  
4p and 5p M25

### 16A 4p

547140163  
547140253  
547140403  
547140633  
547141003  
547141603  
53xxxxxx

### 16A 5p

547150163  
547150253  
547150403  
547150633  
547151003  
547151603  
53xxxxxx



## CEE-Motor protection plug PKZM0

- with phase inverter
- with rotation field check
- 500V version on request

IP44 splashproof

1,0 - 1,6A  
1,6 - 2,5A  
2,5 - 4,0A  
4,0 - 6,3A  
6,3 - 10A  
10 - 16A  
16 - 20A  
20 - 25A  
25 - 32A  
with holder

4p M25; 5p M32  
4p M25; 5p M32  
4p M25; 5p M32  
4p M25; 5p M32  
4p M25; 5p M32  
4p M25; 5p M32  
4p M25; 5p M32  
4p M25; 5p M32  
4p M25; 5p M32  
4p M25; 5p M32

### 32A 4p

547240163  
547240253  
547240403  
547240633  
547241003  
547241603  
547242003  
547242503  
547243203  
53xxxxxx

### 32A 5p

547250163  
547250253  
547250403  
547250633  
547251003  
547251603  
547252003  
547252503  
547253203  
53xxxxxx



## CEE-Motor protection plugs Z-MS with toggle switch

### CEE-Motor protection plug Z-MS

- 500V version on request

IP44 splashproof

#### Setting range

1,0 - 1,6A  
1,6 - 2,5A  
2,5 - 4,0A  
4,0 - 6,3A  
6,3 - 10A  
10 - 16A  
with holder

#### cable gland

4p and 5p M25  
4p and 5p M25  
4p and 5p M25  
4p and 5p M25  
4p and 5p M25  
4p and 5p M25  
4p and 5p M25

#### 16A 4p

51014016  
51014025  
51014040  
51014063  
51014100  
51014160  
50xxxxxx

#### 16A 5p

51015016  
51015025  
51015040  
51015063  
51015100  
51015160  
50xxxxxx



### CEE-Motor protection plug Z-MS

- 500V version on request

IP44 splashproof

1,0 - 1,6A  
1,6 - 2,5A  
2,5 - 4,0A  
4,0 - 6,3A  
6,3 - 10A  
10 - 16A  
16 - 25A  
25 - 40A  
with holder

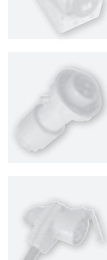
4p M25; 5p M32  
4p M25; 5p M32  
4p M25; 5p M32  
4p M25; 5p M32  
4p M25; 5p M32  
4p M25; 5p M32  
4p M25; 5p M32  
4p M25; 5p M32  
4p M25; 5p M32

#### 32A 4p

51024016  
51024025  
51024040  
51024063  
51024100  
51024160  
51024250  
51024400  
50xxxxxx

#### 32A 5p

51025016  
51025025  
51025040  
51025063  
51025100  
51025160  
51025250  
51025400  
50xxxxxx



### CEE-Motor protection plug Z-MS

- with operating display
- 500V version on request

IP44 splashproof

1,0 - 1,6A  
1,6 - 2,5A  
2,5 - 4,0A  
4,0 - 6,3A  
6,3 - 10A  
10 - 16A  
with holder

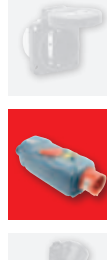
4p and 5p M25  
4p and 5p M25  
4p and 5p M25  
4p and 5p M25  
4p and 5p M25  
4p and 5p M25  
4p and 5p M25

#### 16A 4p

510140161  
510140251  
510140401  
510140631  
510141001  
510141601  
50xxxxxx

#### 16A 5p

510150161  
510150251  
510150401  
510150631  
510151001  
510151601  
50xxxxxx



### CEE-Motor protection plug Z-MS

- with operating display
- 500V version on request

IP44 splashproof

1,0 - 1,6A  
1,6 - 2,5A  
2,5 - 4,0A  
4,0 - 6,3A  
6,3 - 10A  
10 - 16A  
16 - 25A  
25 - 40A  
with holder

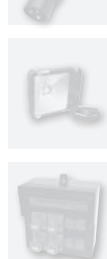
4p M25; 5p M32  
4p M25; 5p M32  
4p M25; 5p M32  
4p M25; 5p M32  
4p M25; 5p M32  
4p M25; 5p M32  
4p M25; 5p M32  
4p M25; 5p M32  
4p M25; 5p M32

#### 32A 4p

510240161  
510240251  
510240401  
510240631  
510241001  
510241601  
510242501  
510244001  
50xxxxxx

#### 32A 5p

510250161  
510250251  
510250401  
510250631  
510251001  
510251601  
510252501  
510254001  
50xxxxxx



### CEE-Motor protection plug Z-MS

- with phase inverter
- with rotation field check
- 500V version on request

IP44 splashproof

1,0 - 1,6A  
1,6 - 2,5A  
2,5 - 4,0A  
4,0 - 6,3A  
6,3 - 10A  
10 - 16A  
with holder

4p and 5p M25  
4p and 5p M25  
4p and 5p M25  
4p and 5p M25  
4p and 5p M25  
4p and 5p M25  
4p and 5p M25

#### 16A 4p

517140163  
517140253  
517140403  
517140633  
517141003  
517141603  
50xxxxxx

#### 16A 5p

517150163  
517150253  
517150403  
517150633  
517151003  
517151603  
50xxxxxx



### CEE-Motor protection plug Z-MS

- with phase inverter
- with rotation field check
- 500V version on request

IP44 splashproof

1,0 - 1,6A  
1,6 - 2,5A  
2,5 - 4,0A  
4,0 - 6,3A  
6,3 - 10A  
10 - 16A  
16 - 25A  
25 - 40A  
with holder

4p M25; 5p M32  
4p M25; 5p M32  
4p M25; 5p M32  
4p M25; 5p M32  
4p M25; 5p M32  
4p M25; 5p M32  
4p M25; 5p M32  
4p M25; 5p M32  
4p M25; 5p M32

#### 32A 4p

517240163  
517240253  
517240403  
517240633  
517241003  
517241603  
517242503  
517244003  
50xxxxxx

#### 32A 5p

517250163  
517250253  
517250403  
517250633  
517251003  
517251603  
517252503  
517254003  
50xxxxxx



# CEE-Motor protection plugs contactor up to 7,5kW

## CEE-Motor protection plug contactor up to 5,5kW (16A) and 7,5kW (32A)

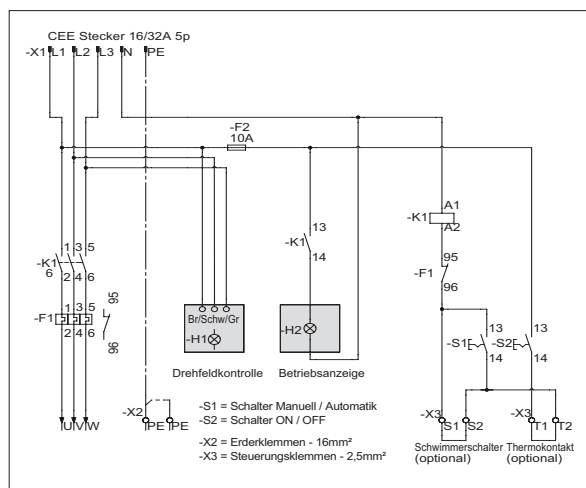


### Technical datas:

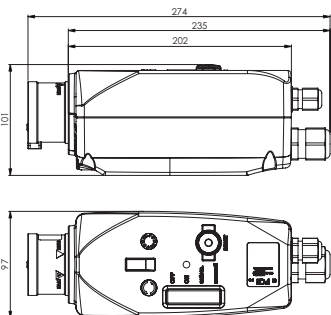
- enclosure material: PC/ABS
- protection degree: IP44
- IK standard acc. to EN50102: IK09
- temperature range: -25° C bis +40°C
- large connection area

### Designs:

- with rocker switch ON/OFF and MANUELL/AUTOMATIC for the use of a float switch\*
- with phase inverter plug
- rotation field check - anticlockwise phase sequence
- operating display - shows the voltage supply of the contactor and therefore of the consumer load
- external reset switch for the motor protection relay
- cable entry:
  - bottom part: 1x cable gland M25 (ø 13-18mm) at 16A and M32 (ø 13-20mm) at 32A
  - top part: 1x cable gland M16 (ø 5-10mm) for float switch (separate drill hole marking for a further M16 cable gland)



The CEE motor protection plug up to 7,5 kW provides reliable protection for thermal overloads and short circuits. It is used mainly for switching and the protection of three-phase AC motors up to 7,5 kW (400V) on pumps, circular saws and industrial motors etc...

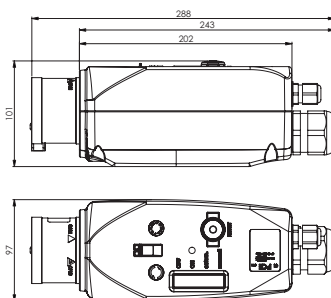


### CEE-Motor protection plug with contactor 16A 5p 400V

- with phase inverter plug
- with operation display
- with rotation field check

IP44 splashproof

Setting range	contactor (AC3)	cable gland	16A
1,0 - 1,6A	4,0 kW	M25 (13-18mm)	5571501000
1,6 - 2,4A	4,0 kW	M25 (13-18mm)	5571501600
2,4 - 4,0A	4,0 kW	M25 (13-18mm)	5571502400
4,0 - 6,0A	4,0 kW	M25 (13-18mm)	5571506000
6,0 - 10A	5,5 kW	M25 (13-18mm)	5571510000
9,0 - 12A	5,5 kW	M25 (13-18mm)	5571512000
12 - 16A	7,5 kW	M25 (13-18mm)	5571516000



### CEE-Motor protection plug with contactor 32A 5p 400V

- with phase inverter plug
- with operation display
- with rotation field check

IP44 splashproof

Setting range	contactor (AC3)	cable gland	16A
6,0 - 10A	7,5 kW	M32 (12-21mm)	5572510000
9,0 - 12A	7,5 kW	M32 (12-21mm)	5572512000
12 - 16A	7,5 kW	M32 (12-21mm)	5572516000

\* Float switch see page 167

# CEE-Motor protection plugs contactor up to 15 kW

## CEE-Motor protection plug contactor up to 15 kW (32A)

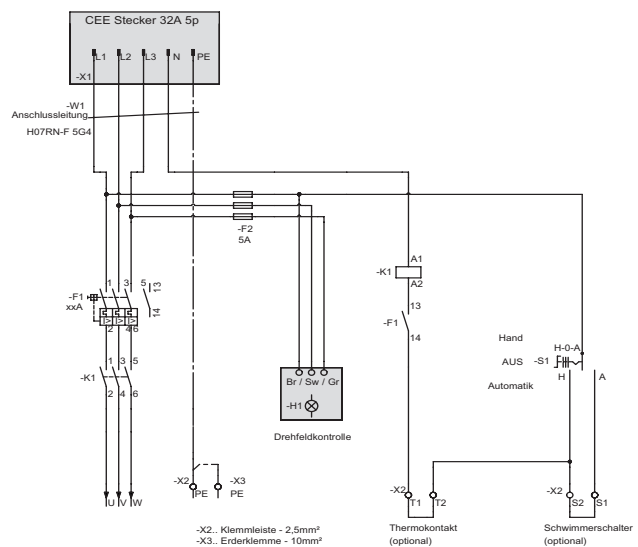
### Technical datas:

- enclosure material: solid rubber
- protection degree: IP44 (IP66 on request)
- dimensions: HxWxD = 260x165x90mm
- temperature range: -25°C to +40°C
- large connection area

### Designs:

- with rotary switch I = hand operation, 0 = Off, II = automatic operation
- 2m cable H07RN-F 5G4 with phase inverter plug 32A 5p 400V
- rotation field check - anticlockwise phase sequence
- reset switch behind transparent window
- float switch on request
- level control system and dipped electrodes on request
- cable entry: 1x cable gland M32 (Ø 13-20mm)  
2x cable glands M16 (Ø 5-10mm) for float switch and thermo switch
- operation display contactor

- **The CEE motor protection plug up to 15kW provides reliable protection for thermal overloads and short circuits. It is used mainly for switching and the protection of three-phase AC motors on pumps, circular saws and industrial motors...**



### CEE-Motor protection plug gland with contactor up to 15 kW (32A)

- with rotary switch I-0-II
- with phase inverter plug
- with rotation field check

IP44 splashproof

#### Setting range

- 16 - 20A
- 20 - 25A
- 25 - 32A

#### contactor

- 12,5 kW
- 12,5 kW
- 15,0 kW

#### cable gland

- M32 (12-20mm)  
2xM16 (5-10mm)
- M32 (12-20mm)  
2xM16 (5-10mm)
- M32 (12-20mm)  
2xM16 (5-10mm)

- 9216211**
- 9216210**
- 9216212**

### Float switch

#### Technical data:

- protection degree: IP68
- temperature range: -5°C to +60°C
- switching capacity: max. 400VAC 10(4)A min. 250VAC 10(8)A
- durability: > 50.000 cycles
- beam angle
- hysteresis: min. 140mm to max. 400mm

#### Designs:

- changer (top: brown-grey, bottom: brown-black)
- hot plate welded housing
- elastomer – sealed cable entry
- cable: Nexans 05RN8-F 4G1mm<sup>2</sup> black (10m or 20m)



- with 10m cable
- with 20m cable

- 1023011**
- 1023012**

Cat.No.





# PCE

Connection  
to the future

**www.pcelectric.at** **PC Electric GesmbH**

Diesseits 145

4973 St. Martin im Innkreis

AUSTRIA

TEL +43 7751 61220

FAX +43 7751 6969

office@pcelectric.at